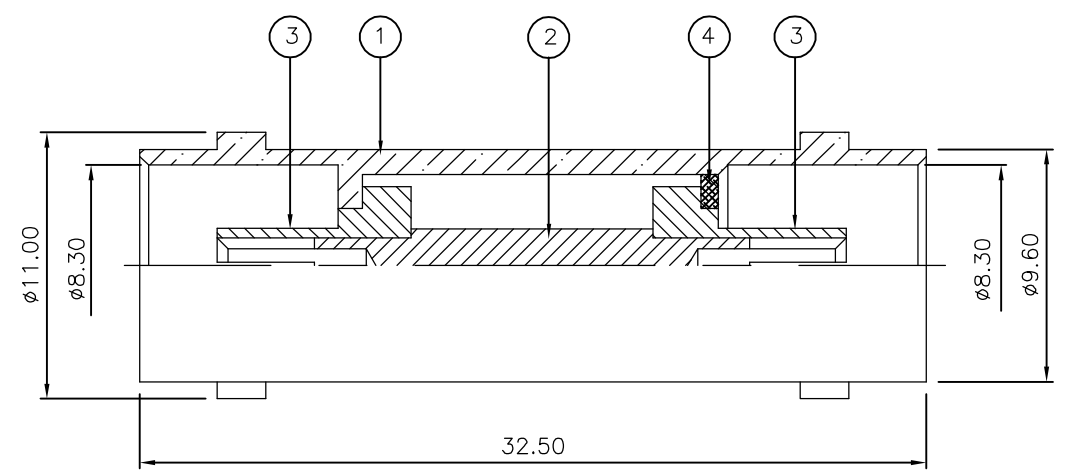


THIS DRAWING IS UNPUBLISHED. RELEASED FOR PUBLICATION JUNE ,2006.
 © COPYRIGHT 2006 BY TYCO ELECTRONICS CORPORATION. ALL RIGHTS RESERVED.

LOC	DIST	REVISIONS					
E	B	P	LTR	DESCRIPTION	DATE	DWN	APVD
			B	ECR-06-013423	13JUN06	JMS	FWK

- NOTES:**
- 1 PACK IN ACCORDANCE WITH AMP SPEC 107-3275
 - 2 100 TRAY PACK IN ACCORDANCE WITH AMP SPEC 107-3275
 - 3 Au PLATING
 - 4 Ni PLATING
- 5 ELECTRICAL CHARACTERISTICS
 FREQUENCY RANGE: DC - 2 GHz
 NOMINAL IMPEDANCE: 75 Ohm
 INSULATION RESISTANCE: 5000 MOhm
 WORKING VOLTAGE: 500 Volts RMS at Sea Level
 DIELECTRIC WITHSTAND VOLTAGE: 1500 Volts RMS Max
 CONTACT RESISTANCE:
 CENTRE CONTACT: 1.50 mOhm Max
 OUTER CONTACT: 0.20 mOhm Max
 VSWR @ xGHz: N/A
 INSERTION LOSS xdb: N/A
- 6 MECHANICAL CHARACTERISTICS
 COUPLING RETENTION FORCE: N/A
 CABLE RETENTION FORCE: N/A
 DURABILITY: 500 Cycles Min
- 7 ENVIRONMENTAL CHARACTERISTICS
 OPERATING TEMPERATURE: -65 to +165 DegC
- 8 FOR TECHNICAL DATA REFER TO YOUR LOCAL TYCO ELECTRONICS SALES OFFICE
- 9 ALL DIMENSIONS ARE NOMINAL FOR REFERENCE ONLY UNLESS OTHERWISE STATED



QTY	QTY	MATERIAL	DESCRIPTION	ITEM
1	1	BRASS	SLEEVE	4
2	2	PTFE	INSULATION	3
1	1	BRASS	CONTACT	2
1	1	BRASS	BODY	1
6--0	1--0	MATERIAL	DESCRIPTION	ITEM
QUANTITY PER ASSY		PARTS LIST		

THIS DRAWING IS A CONTROLLED DOCUMENT.		DWN	J.SANDWELL	13JUN06	 Tyco Electronics Corporation Bideford EX39 4HE	
DIMENSIONS: mm		CHK	S.PARLOW	13JUN06		
TOLERANCES UNLESS OTHERWISE SPECIFIED:		APVD	F.WHEELER-KING	13JUN06		
0 PLC ± - 1 PLC ± - 2 PLC ± - 3 PLC ± - 4 PLC ± - ANGLES ± -		PRODUCT SPEC	NAME			BNC STRAIGHT ADAPTOR J-J 75 OHM
MATERIAL SEE TABLE		FINISH	-		RESTRICTED TO	-
-		WEIGHT	-		SIZE	A3
-		CUSTOMER DRAWING		SCALE	NTS	SHEET 1 OF 1
-		-		DRAWING NO	C-1478042	
-		-		REV	B	